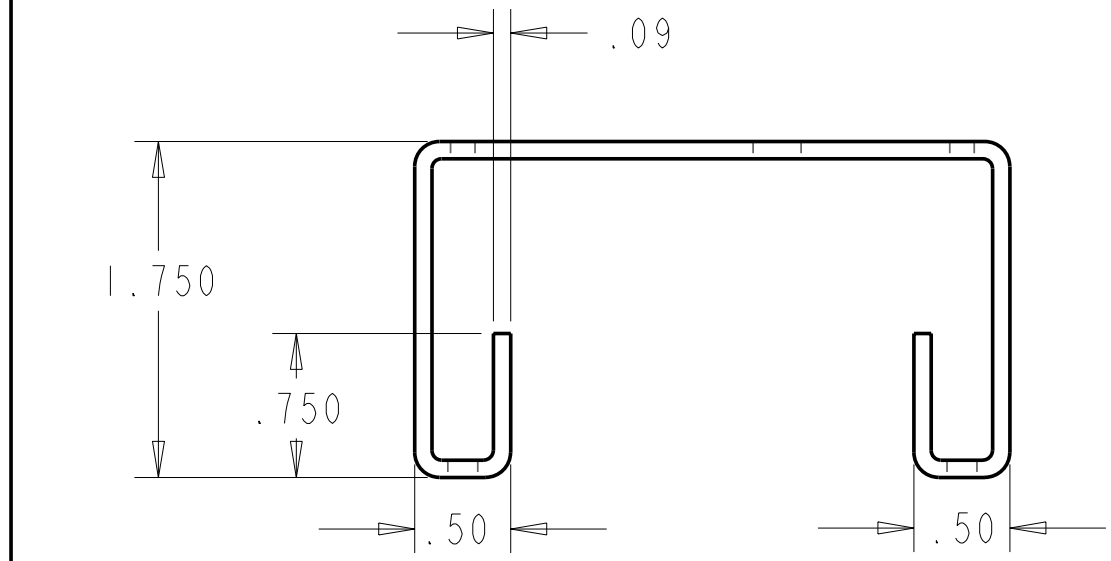
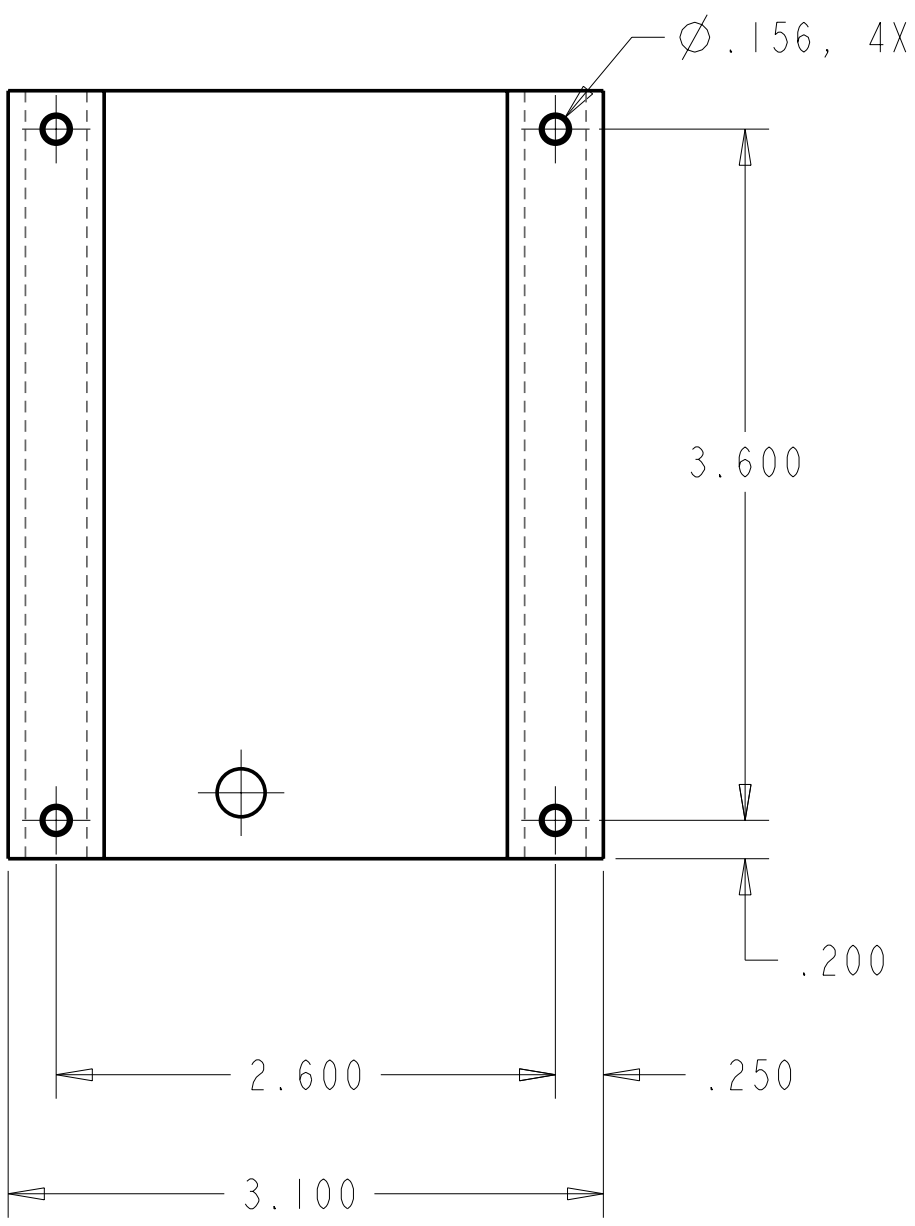
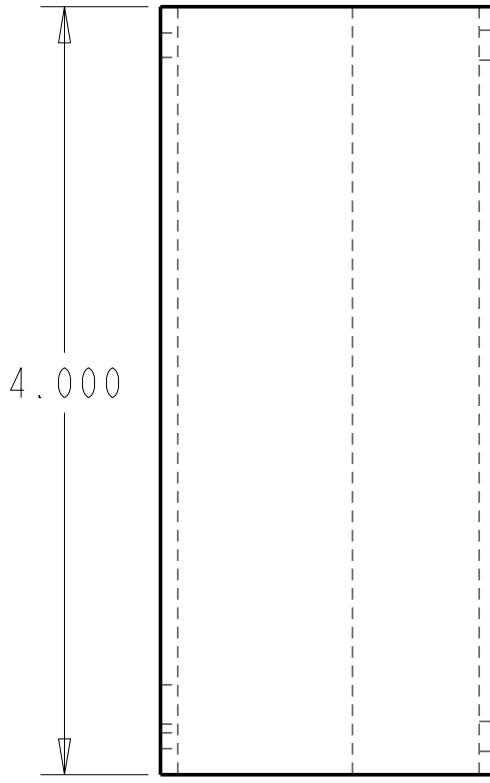
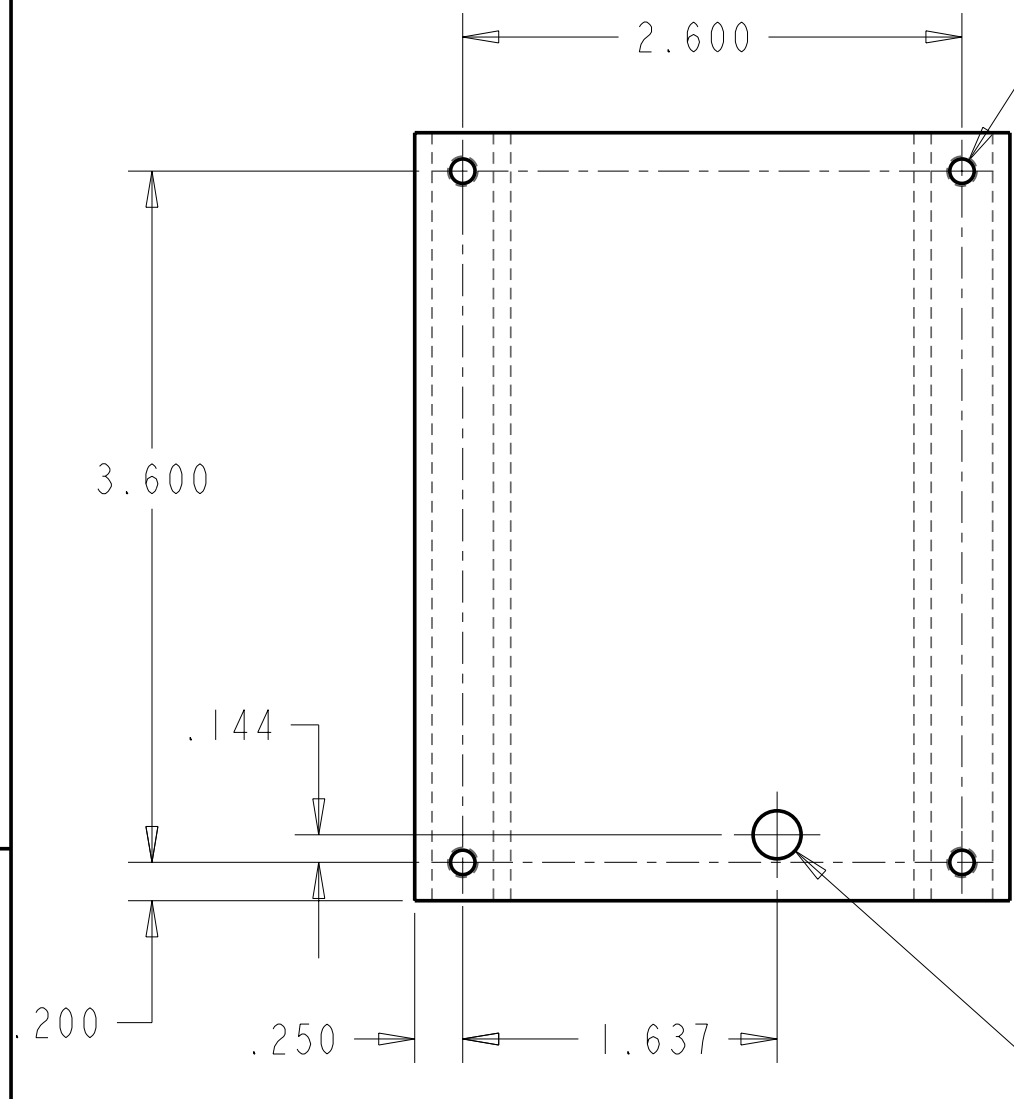



REVISIONS			
REV	DESCRIPTION	DATE	APPROVED



NEXT ASSY	USED ON

MATERIAL 5052-H32 ALUM ALLOY
FINISH ANODIZE, BLACK
DO NOT SCALE DRAWING

UNLESS OTHERWISE SPECIFIED, DIMENSIONS ARE IN INCHES.
TOLERANCES: .X ± .XX ± .XXX ± .005 ANGLE ±
ENG BY/DATE GREG WATERS
DWN BY/DATE GREG WATERS

 STANFORD RESEARCH SYSTEMS, INC. 1290-D Reamwood Avenue, Sunnyvale CA 94089			
DRAWING TITLE: HEATSINK, RUBIDIUM MODULE			
SIZE B	PRO/E FILENAME:	SRS PART NO. 7-01060-720	REV B
SCALE: 1.00	SHEET: 1 OF 1		